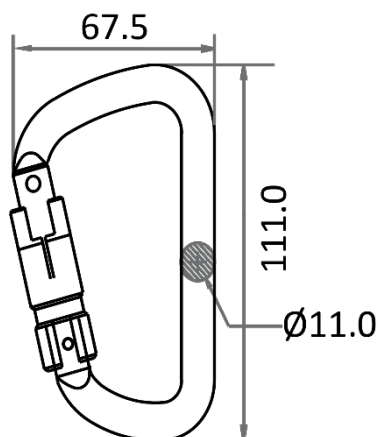








UIAA



REF.	FA 50 302 22
CE	EN 362:2004 Class B EN 12275 Class B/H
	23 kN / 21 mm
MAT.	 ALU
	TRIPLE ACTION
KEYLOCK	---
+	UIAA
	0.08 KG



MAT.



Résistance à la rupture / Ouverture
Breaking strength / Gate opening

Resistencia a la ruptura / Apertura
Resistenza alla rottura / Apertura

Bruchfestigkeit / Öffnung

Matière
Material

Material
Materia

Material

Type d'ouverture
Opening system

Tipo de apertura
Sistema di apertura

Öffnungssystem

HS CODE
76169990
CARTON SIZE / PCS.
58x38x23/200
AET (EU) N°2777_10353-02_E10-01
Satra Technology Europe Ltd., N° 2777, Bracetown Business Park, Clonee, Dublin, D15YN2P, Ireland
MODULE D FI14/14003.02
SGS Fimko Oy, N°0598 Takomotie 8, 00380 HELSINKI, Finland
AET (UKCA) N°AB0321/16051-01/E01-01
Satra Technology Centre, N°0321 Wyndham Way, Telford Way, Kettering Northamptonshire, NN16 8SD, United Kingdom
MODULE D 11 IN14/14003
SGS United Kingdom Ltd., N°0120 Unit 202B, Worle Parkway, Weston-super-Mare, BS22 6WA, United Kingdom