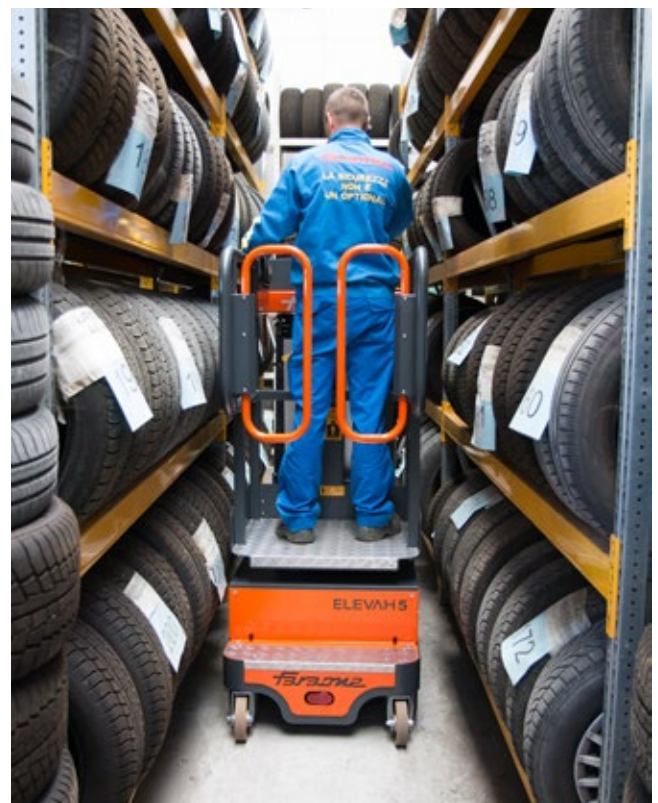


ELEVAH[®] 5 Tires



ELEVAH[®] 5 Tires

Max. working height	5,15 m	
Max capacity	220 kg	
Number of people	1	
Use	Internal - External	
A	Closed machine height	1690 mm
B	Minimum platform height	289 mm
C	Maximum platform height	3150 mm
D		1790 mm
E	Base overall dimensions	700 mm
F		1160 mm
G	Cage dimensions	685 mm
H		600 mm
Machine weight	775 kg	
Drive wheels dimension	Ø 186 x 60 mm	
Swivel wheels dimensions	Ø 150 x 40 mm	

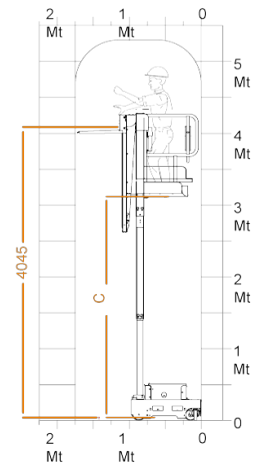
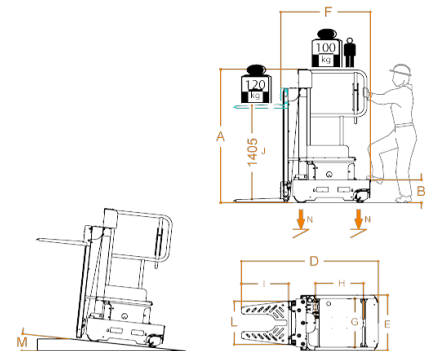


TIRES TOOL

I	Tires forks	595 mm
L		545 mm
Adjustment	Electrical	
J	Stroke	1430 mm
Min. height from the ground	50 mm	
Maximum height from the ground	4075 mm	
Capacity	120 kg	

PERFORMANCE

Power supply	24V	
Batteries	Lead-Acid Batteries 12V 105 Ah	
Battery charger	110V – 220V	
M	Maximum climbing ability	15%
Climbing ability at height	2,5%	
Internal turning radius	0	
External turning radius	1025 mm	
Max. speed (rising – descending)	0,2 m/s	
Maximum translation speed	5,5 km/h	
Maximum translation speed at height	1 km/h	
N	Maximum pressure for wheel at full load*	3,4 kN
Work cycles (with fresh batteries) **	100	



* Maximum pressure whereas the weight of the platform plus the maximum load on the basket are completely distributed on one side of the platform (totally asymmetric load).

** By work cycle we mean a self-propelled movement of 20 m with a full ascent to and descent from the maximum height and with adjustment of the loading platform.



Complies with European regulations for man-up forklift trucks. UNI EN ISO 3691-1.