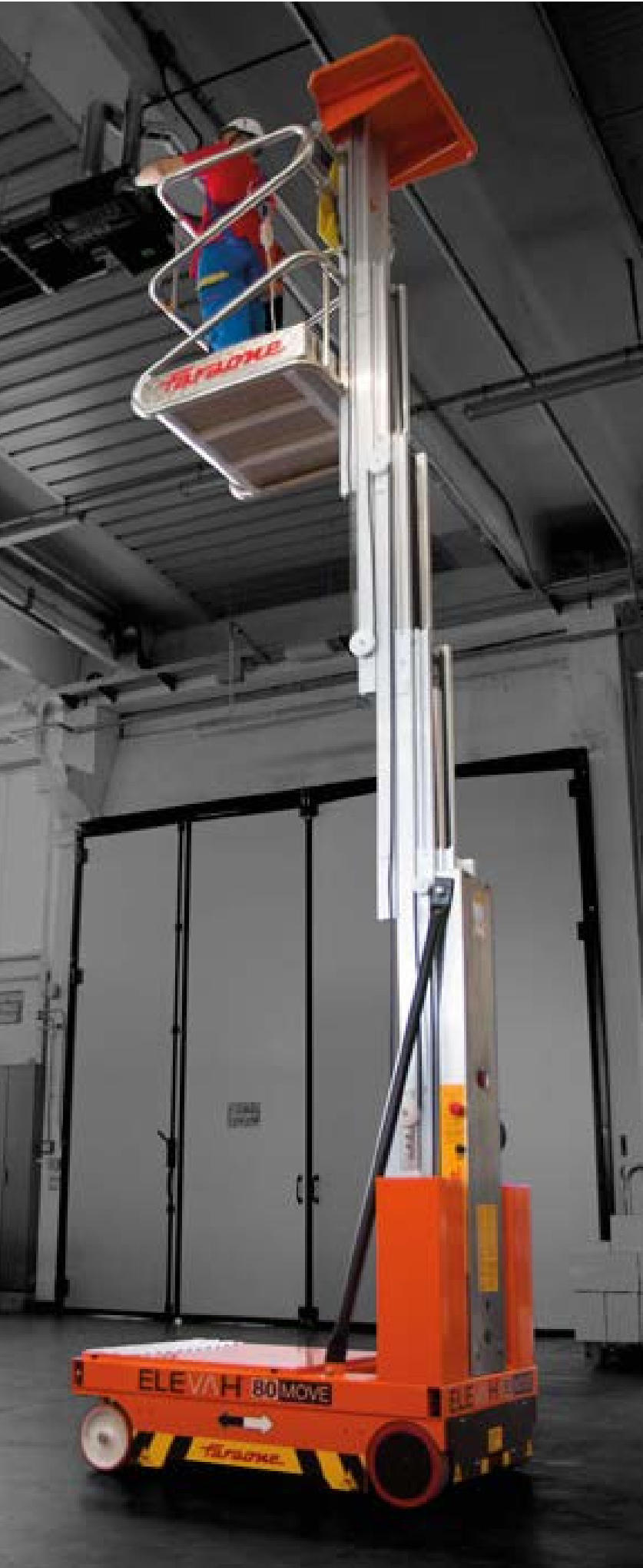


ELEVAH[®] 80-MOVE



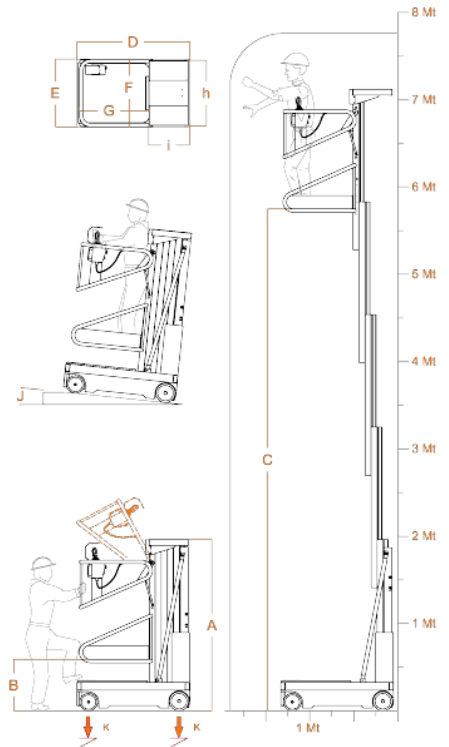
ELEVAH[®] 80-65 MOVE

Max. working height	7,75 m	
Max capacity	200 kg	
Number of people	1	
Use	Internal	
A	Closed machine height	2000 mm
B	Minimum platform height	600 mm
C	Maximum platform height	5750 mm
D	Base overall dimensions	1280 mm
E		780 mm
F	Cage dimensions	770 mm
G		790 mm
Machine weight	750 kg	
H	Fixed picking tray dimensions	740 mm
I		440 mm
Fixed picking tray capacity	20 kg	
Drive wheels dimension	Ø 220 x 65 mm	
Swivel wheels dimensions	Ø 200 x 50 mm	



PERFORMANCE

Power supply	Electrical	
Batteries	Lead-Acid Batteries 12V 105 Ah	
Battery charger	110V – 220V 50/60HZ	
J	Maximum climbing ability	15 %
Climbing ability at height	2,5 %	
Internal turning radius	0	
External turning radius	1095 mm	
Max. speed (rising)	0,20 m/s	
Max. speed (descending)	0,20 m/s	
Maximum shifting speed	4 Km/h	
Maximum shifting speed at height	1 Km/h	
K	Maximum pressure for wheel at full load*	3,3 kN
Work cycles (with fresh batteries)**	130	



* Maximum pressure whereas the weight of the platform plus the maximum load on the basket are completely distributed on one side of the platform (totally asymmetric load).

** By work cycle we mean a self-propelled movement of 20 m with a full ascent to and descent from the maximum height and with adjustment of the loading platform.



Compliant with **EN280** rule.
Approved for indoor use or outdoor use in the absence of wind.