



EUROSYSTEM®

Aluminium and **steel** hollow profile
for overhead handling system
with loads of 60 to 2,000 kg



Product Distributed in Ireland by:



601, Western Industrial Estate,
Dublin 12, Ireland T: + 353 (0)1
4584836 E: sales@prolift.ie

www.prolift.ie



LIFTING EQUIPMENT

www.verlinde.com

Ref : 11 2016 534 GB

EUROSYSTEM ALU[®]

Aluminium hollow profile overhead handling system for loads of 60 to 2,000 kg

The Aluminium Eurosystem represents a new generation of hollow profile handling systems. This innovative solution presents the combined advantages of conventional steel and aluminium hollow profile.

> Ergonomic

Light rails means users can very easily and effortlessly handle heavy and cumbersome loads.

> Accurate

Accuracy is ensured through high quality manufacture and smooth movements.

> Economical

Reduce weight of supporting structure.

> Anti-corrosion

The aluminium profiles are externally and internally anodised.

> Safety

The beam is guaranteed without welding.

> Technological

The beam is the result of the latest innovations in cold extrusion and structure optimisation.

> Practical

The beam is compatible with all ITEM standard accessories.

> Lasting

Strong resistancy to wear and tear is the result of anodisation and the roller materials.

> Silence

Operates silently due to the precise manufacture of the movement surface.

> Aesthetics





EUROSYSTEM ALU[®]

Aluminium hollow profile overhead handling system for loads of 60 to 2,000 kg

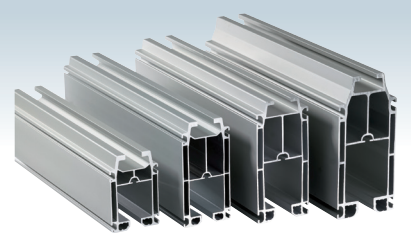
Eurosystem ALU in figures:

- > Materials: **6063-T6** according to EN-AW standard
- > 20 micron anodisation: **A6C0**
- > Extrusion tolerance of beams according to standard: **EN 12020**
- > Complies with applicable regulations according to standard: **FEM 9.771**

2

4 sizes of beam.

- > AL06, 6.5 kg/m, up to 320 kg
- > AL08, 8 kg/m, up to 500 kg
- > AL10, 10.6 kg/m, up to 2,000 kg
- > AL14, 14.5 kg/m, up to 2,000 kg



4

3

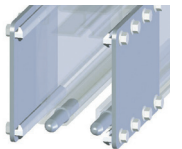
6

5

3

Joining of rails.

A perfect cut, pin pointer, 16 point locking system which is easy to implement : one of the features that make the difference.

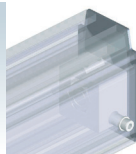


1

1

Locking plates.

They can be dismantled, they act as a buffer, dust protection and they complete the attractiveness of the installation.



4

Suspensions.

It means that the whole handling system can be fixed to a lifting structure. Several suspension types are available depending on the type of beam used and the type of the host structure.



5

Wide range of lifting devices associated

Hand chain hoist VHR for loads of 250 to 5,000 kg : Machined chain sprocket and gears provide smoother, more efficient operation. 3 meters standard lift. Hand chain is 0.5 meters less than lift chain. VHR's compact design offers safety together with reduced weight. Ideal for construction and maintenance applications.



Lifting functions are fulfilled by EUROCHAIN VR hoists with a variety of load capacities and lifting speeds. These hoists can be equipped with either a manual or an electric trolleys for horizontal movement.

- > Load capacity from 63 à 2,000 kg.
- > Lifting height from 3 meters (standard) and up to 30 m.
- > Two lifting speeds.
- > A number of optional features are available for these hoists (remote control system, hook version and stainless steel chain, etc).

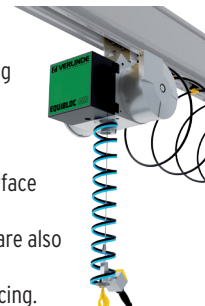


Verlindé, EQUIBLOC AIR pneumatic load balancers come with the following standard equipment:

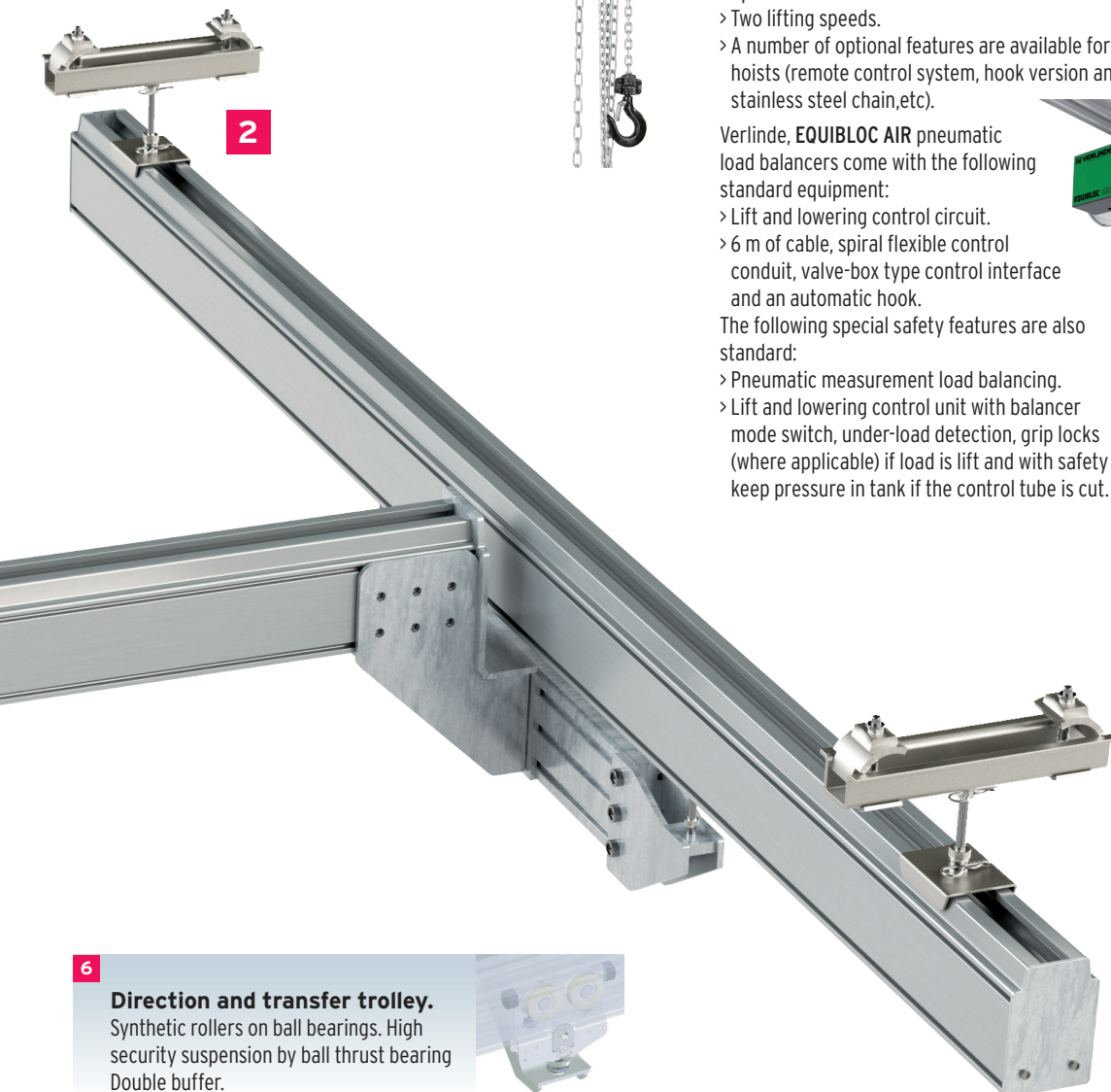
- > Lift and lowering control circuit.
- > 6 m of cable, spiral flexible control conduit, valve-box type control interface and an automatic hook.

The following special safety features are also standard:

- > Pneumatic measurement load balancing.
- > Lift and lowering control unit with balancer mode switch, under-load detection, grip locks (where applicable) if load is lift and with safety valve to keep pressure in tank if the control tube is cut.



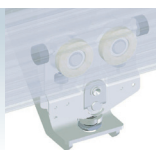
2



6

Direction and transfer trolley.

Synthetic rollers on ball bearings. High security suspension by ball thrust bearing Double buffer.

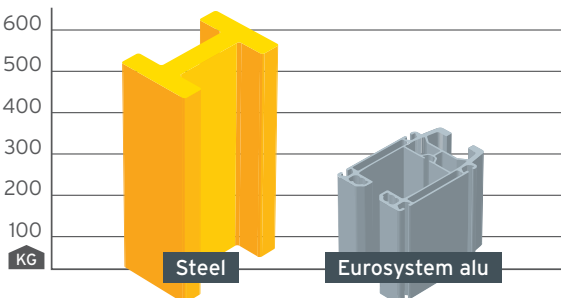
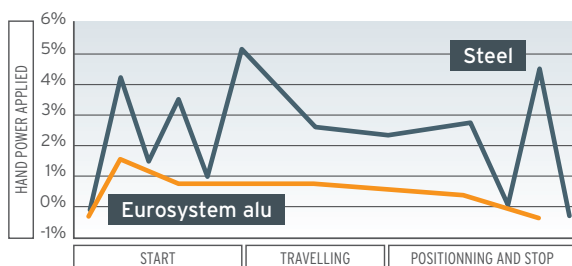


Better workstation ergonomics and increased productivity.

Compared with steel rails, when manually moving loads, the movement coefficient of the trolley rollers is greatly reduced in order to minimise operator effort.

Reduced cost of supporting structures.

- > 2 times lighter than its steel equivalent.
- > Easy to install and use.
- > Economical for lifting structures.



EUROSYSTEM ALU[®]

Aluminium hollow profile overhead handling system for loads of 60 to 2,000 kg



Single girder suspended or encasted crane for loads up to 2,000 kg

- > To cover the largest surfaces in 3 dimensions.
- > Ready to be installed to optimise lifting height.

Options:

- > Direction and/or motorised transfer trolleys.
- > Parallel supply to beam by integral conductor.
- > RAL paint coating.

Double girder suspended or encasted crane for loads up to 2,000 kg

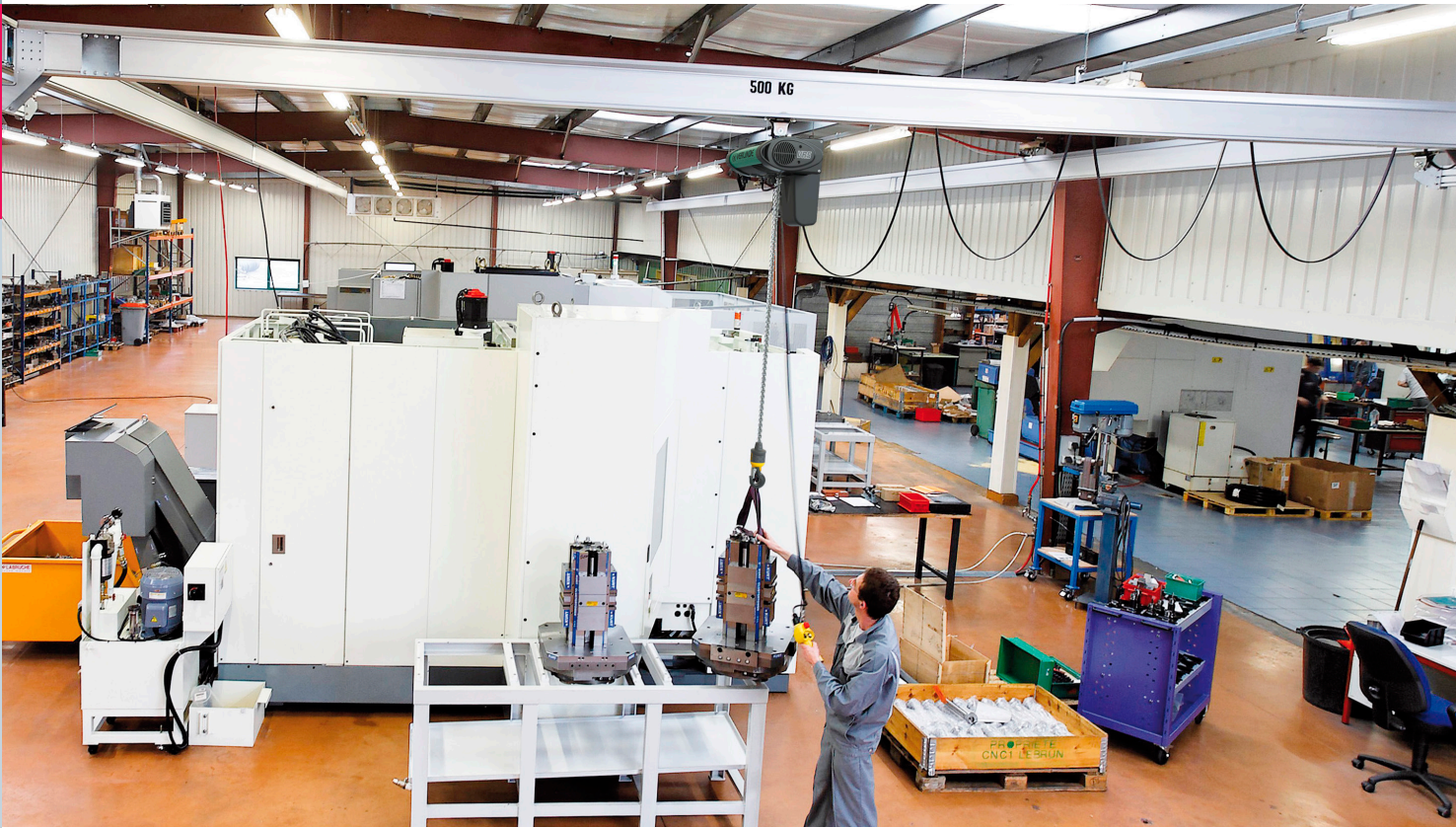
- > Maximum loads with largest spans.
- > Surface coverage in 3 dimensions.
- > Good "C" dimension.

Monorail track up to 2,000 kg loads

- > Simple solution for workstations where loads are moved on 2 axes.
- > Movement tracks and simple or complete circuit systems with direction changed by switch or turn table is also available.

With EUROSYSTEM ALU,
Easy movement thanks to
excellent rolling friction
coefficient. ➤





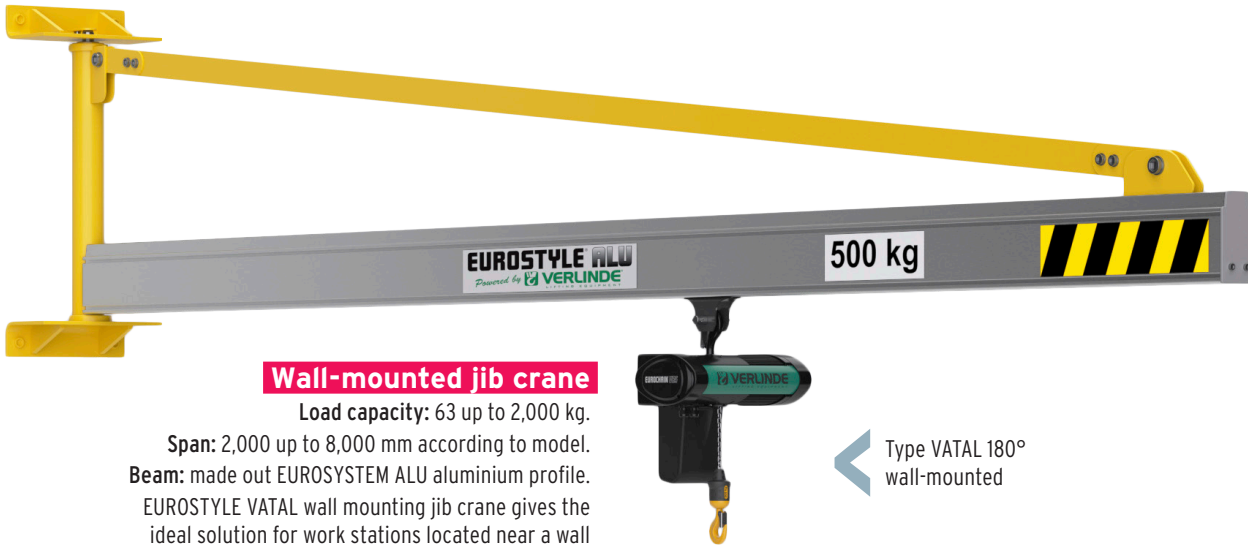
➤ Additional possible declinations



Workshop gantry VGPA

Load capacity: 125 up to 2,000 kg.

- > The beam of these VERLINDE workshop gantries crane consists of a EUROSYSTEM hollow profile in aluminium.
- > Delivered with a manual hoist-bearing EUROSYSTEM type trolley.
- > These workshop gantries are mounted on caster wheels in white polyamide.
- > The gantry can be moved under load.



Wall-mounted jib crane

Load capacity: 63 up to 2,000 kg.

Span: 2,000 up to 8,000 mm according to model.

Beam: made out EUROSYSYSTEM ALU aluminium profile.

EUROSTYLE VATAL wall mounting jib crane gives the ideal solution for work stations located near a wall or vertical structures. It can be used over a sector measuring 180° with a radius between 2 and 8 meters.

They are the complement you can't do without for rolling cranes, for the overall efficiency in a workshop.

They make each production point independent and ultra-efficient.

← Type VATAL 180° wall-mounted



← VFTAL 270° Column mounted jib crane

Pillar jib crane

Load capacity: 63 up to 2,000 kg.

Span: 2,000 up to 8,000 mm according to model.

Beam: made out EUROSYSYSTEM ALU aluminium profile.

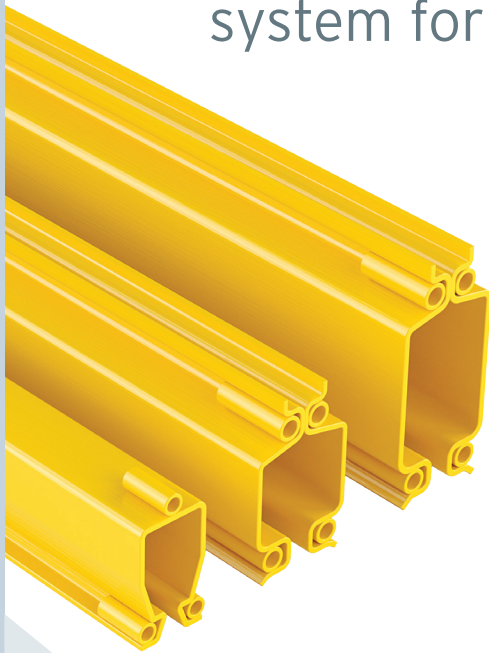
EUROSTYLE VFTAL column-mounted pillar jib cranes are necessary when there is no other appropriate support near a work station.

It allows load handling over an area measuring 270° and a radius measuring between 2 and 8 meters.



EUROSYSTEM ST[®]

Steel hollow profile overhead handling system for loads of 60 to 2,000 kg



> A variety of possibilities

- > Monorail tracks.
- > Runways.
- > Single girder cranes.
- > Double girder cranes.
- > Telescopic beams.
- > Simple or complete circuit systems with direction-changing system either by switches or turnables.

> Outstanding advantages

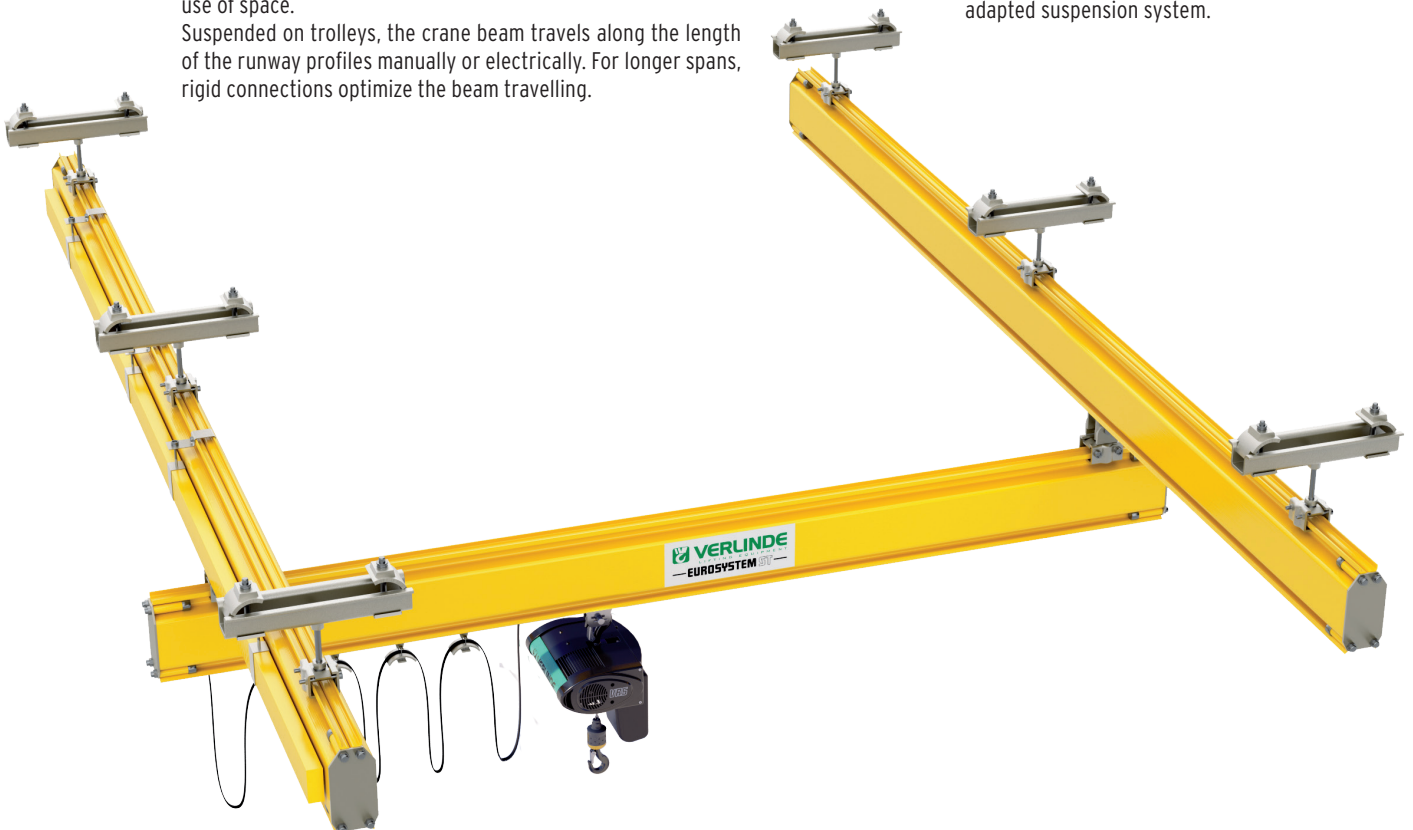
- > Reduced headroom (increased working height).
- > Easy movement thanks to excellent rolling friction coefficient.
- > Easily extendable monorail tracks, runways, circuits, thanks to the modular system design.
- > Installation and fixation is done by simple bolting.
- > Great flexibility.
- > Less force/wear applied to carrying structure thanks to the suspended design of the system.
- > Almost zero upkeep required
- > Esthetically pleasing to the eye, harmonious installations.

> Suspended or short headroom single girder crane

A practical solution for the handling needs in large facilities. EUROSYSTEM ST components are compact, offering an efficient use of space.

Suspended on trolleys, the crane beam travels along the length of the runway profiles manually or electrically. For longer spans, rigid connections optimize the beam travelling.

EUROSYSTEM ST profiles are also used as runways and may be fixed to the ceiling with adapted suspension system.





> Suspended double girder crane or short headroom constructions

For heavier loads, the EUROSYSTEM ST double girder crane is suitable for all your lifting and handling needs. The design of the hoist trolley that travels between the profiles allows for exceptionally low height requirements.

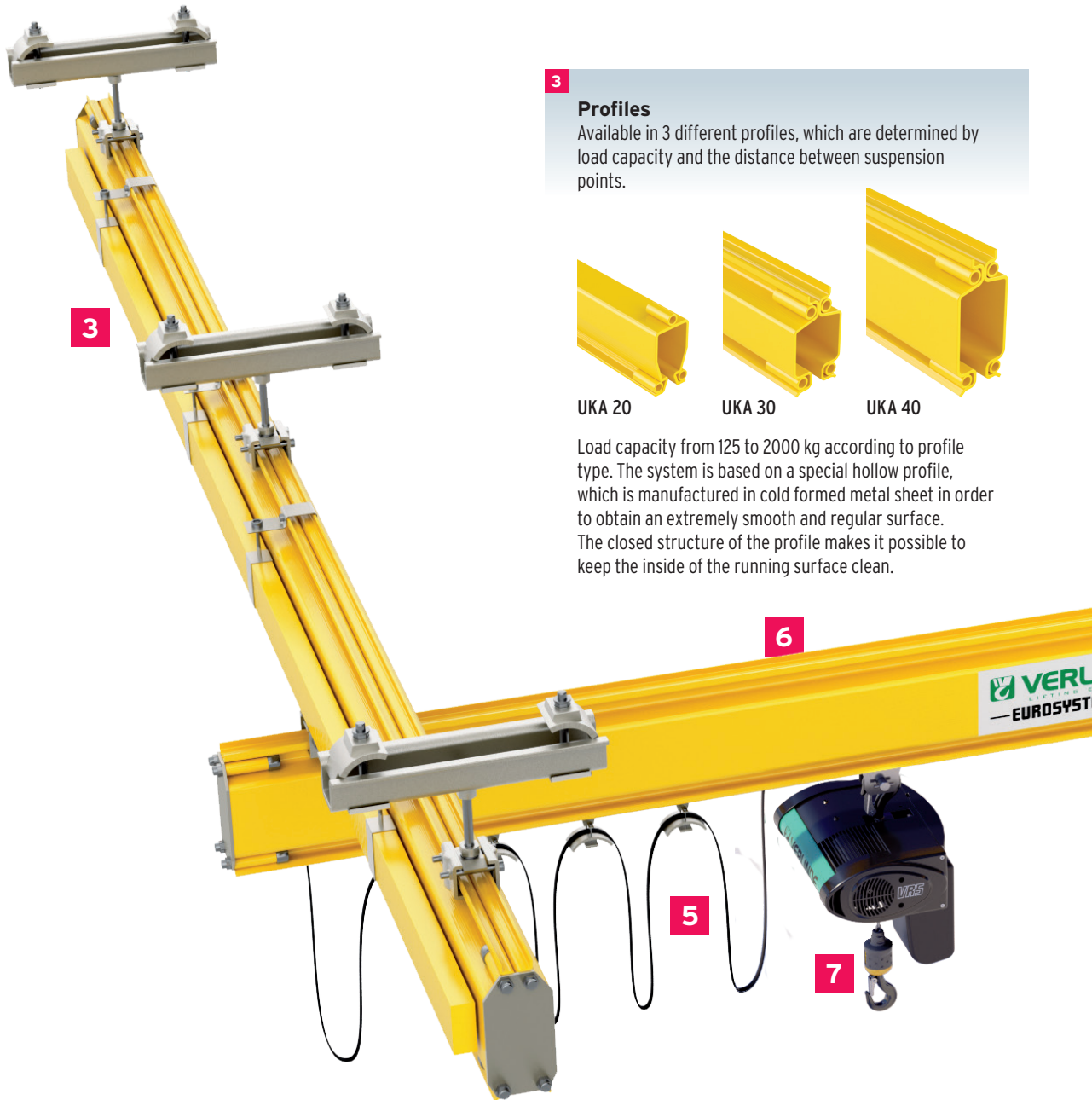


The movement of this crane is made even smoother thanks to trolleys fitted with nylon rollers in contact with the inside surface of profiles travels is achieved either by pushing the load or through the use of a motorized trolley for larger and heavier loads.



EUROSYSTEM ST[®]

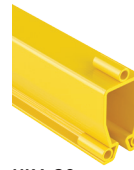
Steel hollow profile overhead handling system for loads of 60 to 2,000 kg



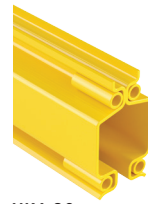
3

Profiles

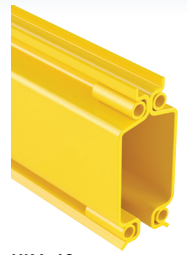
Available in 3 different profiles, which are determined by load capacity and the distance between suspension points.



UKA 20



UKA 30



UKA 40

Load capacity from 125 to 2000 kg according to profile type. The system is based on a special hollow profile, which is manufactured in cold formed metal sheet in order to obtain an extremely smooth and regular surface. The closed structure of the profile makes it possible to keep the inside of the running surface clean.

6

5

7

1

End plates

- > To prevent bending or distortion of the hollow profile.
- > End stops for manual or motorized trolleys.
- > To prevent dust collection on the inside surface of the profile.

2

Travelling profiles

The assembly of the profiles is done with connection bolts and connection parts with adapted locating features.

4

The suspensions

They allow fitting the light crane system to the support structure. Several different types of suspensions are available according to the type of profile used, and the type of structure supporting the system:

- > Side or vertical suspensions, short or extended.
- > Suspension for straight ceiling or I-beam.
- > Suspensions for UKA 20, 30 or 40.

Thanks to their design (self-locking parts, articulated structure, easy adjustments, etc.) EUROSYSTEM ST suspensions allow greater flexibility when being installed, prevent internal pressure and balance any possible irregularities of the support structure.

5

Power-feed systems

Built-in or outside the profiles are available.



7

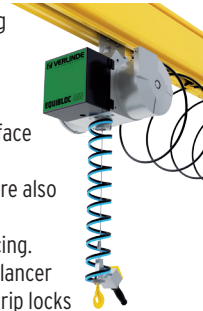
Lifting functions are fulfilled by:

EUROCHAIN VR hoists with a variety of load capacities and lifting speeds. These hoists can be equipped with either a manual or an electric trolleys for horizontal movement.

- > Load capacity from 63 à 2,000 kg.
- > Lifting height from 3 meters (standard) and up to 30 m.
- > Two lifting speeds.
- > A number of optional features are available for these hoists (remote control system, hook version and stainless steel chain, etc).

Verlinde, **EQUIBLOC AIR** pneumatic load balancers come with the following standard equipment:

- > Lift and lowering control circuit.
 - > 6 m of cable, spiral flexible control conduit, valve-box type control interface and an automatic hook.
- The following special safety features are also standard:
- > Pneumatic measurement load balancing.
 - > Lift and lowering control unit with balancer mode switch, under-load detection, grip locks (where applicable) if load is lift and with safety valve to keep pressure in tank if the control tube is cut.



6

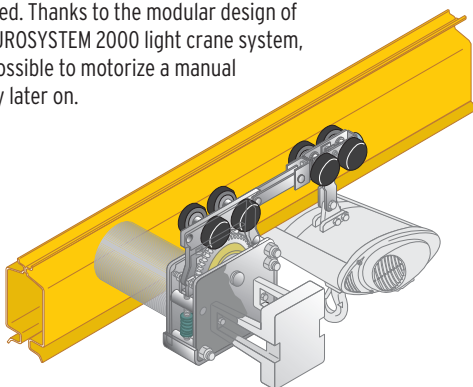
Trolleys

Any crane and monorail track can be equipped with trolleys in order to provide travel of the hoists, or of the crane.

In order to satisfy your needs, we offer a very complete range of trolleys:

- > Manual trolleys (UKA 20, 30 & 40) single, double or articulated.
- > Motorized trolleys types UKTD (UKA 30 & 40) single, double or articulated.

An outstanding rolling friction coefficient guarantee smooth low-noise movement. Trolleys are made of nylon wheels, and the contact surface inside the profiles is reduced. Thanks to the modular design of the EUROSYSTEM 2000 light crane system, it is possible to motorize a manual trolley later on.



Hand chain hoist **VHR** for loads of 250 to 5,000 kg: Machined chain sprocket and gears provide smoother, more efficient operation. 3 meters standard lift. Hand chain is 0.5 meters less than lift chain. VHR's compact design offers safety together with reduced weight. Ideal for construction and maintenance applications.



8

Threaded rods

All our suspension systems are fitted with threaded rods for the precise adjustment of your EUROSYSTEM ST equipment (extensions are also available).





> A unique modular concept

- > ESM type monorail available in a straight and a curved style.
- > Combining the various components of EUROSYSTEM ST make it easy to adapt to your production line.



> Additional possible declinations



VATS 180°
Wall mounted jib crane



VFTS 270°
Column jib crane

Wall-mounted jib crane*

Load capacity: 125 up to 2,000 kg.

Span: 2,000 up to 8,000 mm according to model.

Beam: made out EUROSYSTEM ST steel profile.

EUROSTYLE VATS wall mounting jib crane gives the ideal solution for work stations located near a wall or vertical structures. It can be used over a sector measuring 180° with a radius between 2 and 8 meters.

They are the complement you can't do without for rolling cranes, for the overall efficiency in a workshop.

They make each production point independent and ultra-efficient.

Pillar jib crane*

Load capacity: 125 up to 2,000 kg.

Span: 2,000 up to 8,000 mm according to model.

Beam: made out EUROSYSTEM ST steel profile.

EUROSTYLE VFTS column-mounted pillar jib cranes are necessary when there is no other appropriate support near a work station. It allows load handling over an area measuring 270° and a radius measuring between 2 and 8 meters.



Hoist trolley delivered as standard

Option:
power feeding line



Option:
main isolator



Workshop gantry
VGPS

Cannot be moved
under load



Workshop gantry**

Load capacity: 125 up to 2,000 kg.

With this line of VERLINDE independent manual gantries, maintenance services, assembly teams and any artisan mechanic will be able to carry out mounting, dismantling operations, and position parts or assemblies. This line of standard gantries is designed to receive all types of hoisting device. The VERLINDE gantry can be equipped with wide range of lifting devices.

The raceway of these VERLINDE workshop gantries consists of a EUROSYSTEM hollow profile in steel. The gantry is delivered with a manual hoist-bearing EUROSYSTEM type trolley. These workshop gantries are mounted on caster wheels in white polyamide.

The gantry cannot be shifted under load.

For more informations, please consult our commercial documentation: *EUROSTYLE and **Gantries.



VERLINDE is:

- The leading French manufacturer and exporter of lifting and handling equipment.
- A comprehensive range of 30 groups of lifting equipment from 60 to 250,000 kg.
- ISO 9001 Quality control certified and ISO 14001 Environmental Management Systems.

In France:

A sales network and after sales service points, EUROPONT travelling crane construction plants and a distributor network.

Abroad:

A customer service in more than 92 countries.

References

Metallurgy, Mechanics, Nuclear

ArcelorMittal, Unimetal, Stein, NFM, Framatome, Alstom

Chemicals, Petrochemicals industry

Sanofi Aventis, Total, Du Pont De Nemours

Aeronautical industry

Aérospatiale, Airbus, Snecma, Eurocopter, Air France, Aéroport de Paris, Dassault Aviation



Agri-food industry

Nestlé, Danone, Bel, Palamatic, Tetrapak, Lactalis

Automobile industry

Renault, Peugeot, Citroën, Scania, Ford, RVI, Volkswagen, Michelin, Massey Ferguson, Manitou, Toyota Industrial Equipment

Other sectors

EDF, SNCF, RATP, Spie, Degremont, Eiffage, Polysius, Baudin Chateauf



NEXT LEVEL
PARTNERSHIP

2, boulevard de l'Industrie | B.P. 20059 | 28509 Vernouillet cedex | France
Phone : (33) 02 37 38 95 95 | Fax : (33) 02 37 38 95 99 | Internet : www.verlinde.com

