



QDD15L

Electric Tractor 1.5T



V2110.01

- Lithium battery, convenient charging;
- Creative design;
- Large traction;
- Comfortable and stable operation.

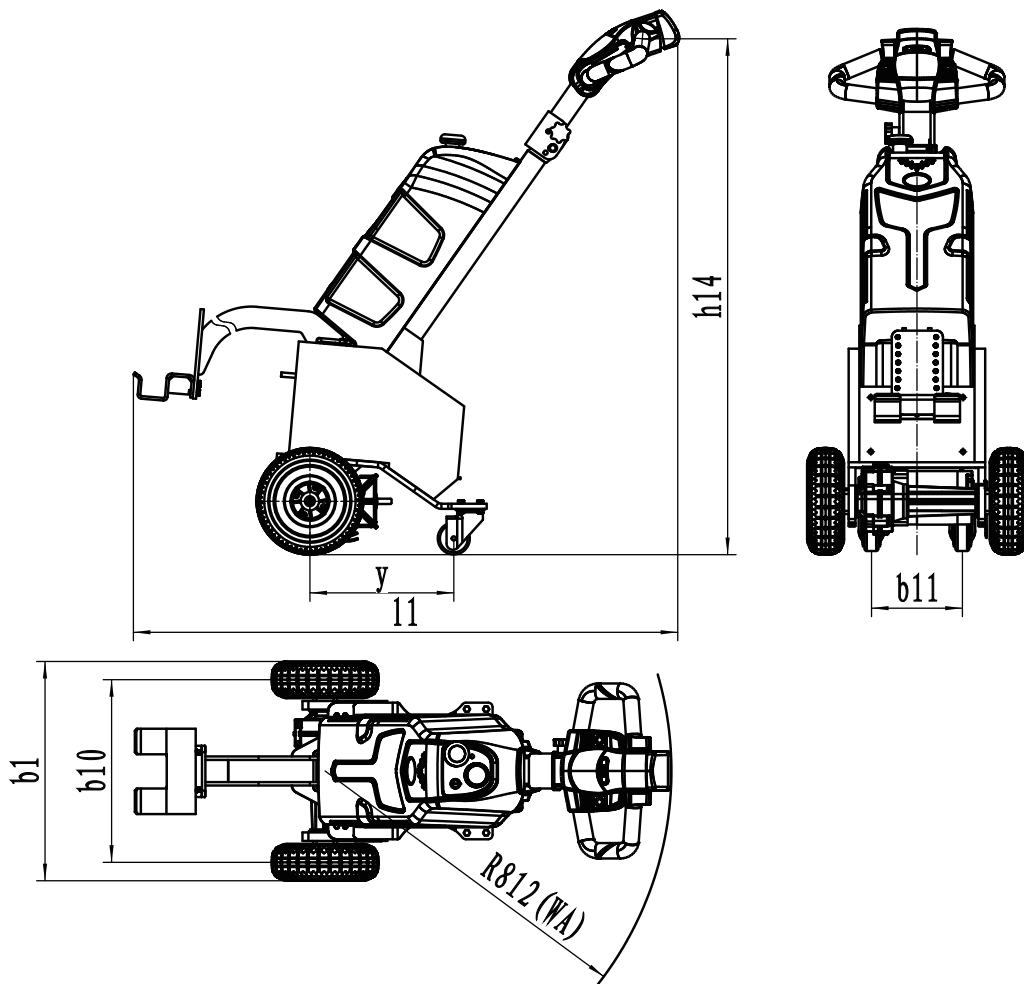
Distinguishing mark	1.1	Manufacturer			EP
	1.2	Model designation			QDD15L
	1.3	Drive			Electric
	1.4	Operator type			Pedestrian
	1.5	Load capacity	Q	kg	1500
Service weight	1.9	Wheelbase	y	mm	320
	2.1	Service weight		kg	245
	2.2	Axle loading, laden front/rear		kg	245/0
Tyres/chassis	2.3	Axle loading, unladen front/rear		kg	195/50
	3.1	Tyre type			Solid rubber
	3.2	Tyre size, front		mm	2x Φ 250x85
	3.3	Tyre size, rear		mm	2x Φ 74x48
	3.4	Additional wheels (castor wheels)		mm	—
	3.5	Wheels, number front/rear (x=drive wheels)		mm	2x /2
	3.6	Tread width, front	b10	mm	428
Dimensions	3.7	Tread width, rear	b11	mm	217
	4.2.1	Overall height	h15	mm	1020~1076~1274
	4.8	Seat height/standing height	h7	mm	—
	4.9	Height of tiller handle in drive position min./max.	h14	mm	965~1040~1130
	4.12	Tow coupling height	h10	mm	—
	4.19	Overall length	l1	mm	1250~1310~1340
Performance data	4.21	Overall width	b1/b2	mm	520
	4.32	Ground clearance, center of wheelbase	m2	mm	—
	5.1	Travel speed, laden/unladen		km/h	4.5/5
	5.5	Drawbar pull, laden/unladen		N	300/0
	5.6	Max. drawbar pull, laden/unladen		N	650/0
Electric-engine	5.8	Max. gradeability, laden/unladen		%	0.1875
	5.10	Service brake			Electromagnetic
	6.1	Drive motor rating S2 60 min		kW	0.4
Addition data	6.4	Battery voltage/nominal capacity		V/Ah	24/20
	6.5	Battery weight		kg	5.8
	8.1	Type of drive control			DC
	10.5	Steering design			Mechanical
	10.7	Sound pressure level at the driver's ear		dB(A)	74
	10.8	Towing coupling, type DIN 15170			—

If there are improvements of technical parameters or configurations, no further notice will be given.
The diagram shown may contain non-standard configurations.

Solution Packages:



- Great Flexibility with Minimum Volume: Light Self-weight of 98KG only and the application of differential mechanism make it more flexible and easier to operate.
- Strong Traction: It can manage the towing task of 1000KG goods on a slope of 3% degrees.
- Stability in Operation and Excellent passingability: the application of pneumatic tyre with a diameter of 250mm.
- Easy to Charge: With the application of internal chargers, charging process can be realised where there is a socket.
- Comfortability in Operation: The height of the tiller is adjustable.



No.	Optional items	QDD15L
2.3	Drive wheel material	○Rubber
2.5	Front wheel material	●Pneumatic
2.7	Battery capacity	—
2.8	Charger	●24V-10A External
2.9	Battery indicator	●With time
2.13	Traction pin	●Yes○Yes and not customized

Note: ●Standard ○ Optional - Inconformity